

# Curriculum Home Learning

Week Beginning 29.11.2021

# This week ... People who help us

- Day 1 - Builders
- Day 2 - What would we find in a builder's tool box?
- Day 3 - There are lots of people to help us
- Day 4 - EYFS at home - People who help us
- Day 5 - Nativity rehearsal

# Day 1 - Builders

Today we will be learning all about builders.

Do you know what a builder does?

Lets find out more.

- **Builder:**

- Builders build and repair homes.
- Builders take part in construction work.
- Builders use lots of machinery
- They work hard to make lots of buildings.

Can you imagine that :

Let's watch the video below to find out more  
about builders.

<https://www.youtube.com/watch?v=0Sd2URRIKAQ>



# Task:



I would like you to draw a picture of yourself in a builder's outfit.



Don't forget to email your work to your teacher!

- [ra@hortongrangeacademy.co.uk](mailto:ra@hortongrangeacademy.co.uk) – Miss Bedford
- [rb@hortongrangeacademy.co.uk](mailto:rb@hortongrangeacademy.co.uk) – Mrs Bibi
- [rc@hortongrangeacademy.co.uk](mailto:rc@hortongrangeacademy.co.uk) – Miss Goodwin

Day 2 - What would we find in a builder's tool box?



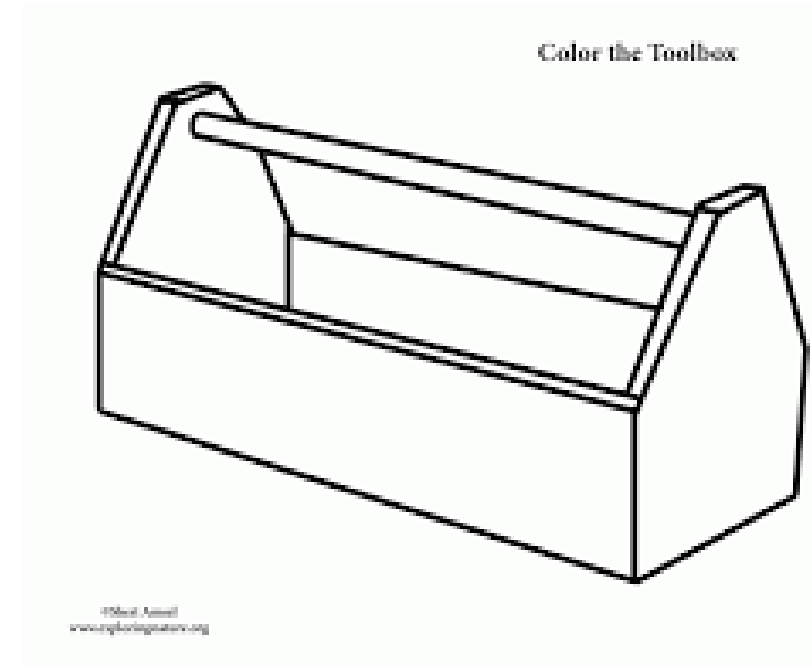
Remind yourself of the video you watched yesterday, can you name any of the tools that a builder would need to do their work?



# Task:

I would like you to draw a picture of a builder's toolbox with all of the tools that they may need.

After you have drawn a picture of the tools see if you can have a go at labelling them using your phonics to help you.



Don't forget to email your work to your teacher!

- [ra@hortongrangeacademy.co.uk](mailto:ra@hortongrangeacademy.co.uk) – Miss Bedford
- [rb@hortongrangeacademy.co.uk](mailto:rb@hortongrangeacademy.co.uk) – Mrs Bibi
- [rc@hortongrangeacademy.co.uk](mailto:rc@hortongrangeacademy.co.uk) – Miss Goodwin

# Day 3 - Singing

Ask your adult to read the lyrics of the song and see if you can learn some of the lyrics.

You can even record a short of video of yourself singing the song and send it to your class teacher.



## There Are Lots of People to Help Us Song

*(Sing to the tune of 'Here We Go Round the Mulberry Bush'.)*

There are people who help us every day,  
Every day, every day.

There are people who help us every day,  
Let's sing a song about them!

There are doctors and nurses to keep us well,  
To keep us well, to keep us well.

There are doctors and nurses to keep us well.  
There are lots of people to help us!

There are firefighters to put out fires,  
To put out fires, to put out fires.

There are firefighters to put out fires.  
There are lots of people to help us!

There are police to look after us,  
To look after us, to look after us.

There are police to look after us.  
There are lots of people to help us!

There are bus drivers to take us places,  
To take us places, to take us places.

There are bus drivers to take us places.  
There are lots of people to help us!

There are teachers to help us learn new things,  
Us learn new things, us learn new things.

There are teachers to help us learn new things.  
There are lots of people to help us!



Don't forget to email your work to your teacher!

- [ra@hortongrangeacademy.co.uk](mailto:ra@hortongrangeacademy.co.uk) – Miss Bedford
- [rb@hortongrangeacademy.co.uk](mailto:rb@hortongrangeacademy.co.uk) – Mrs Bibi
- [rc@hortongrangeacademy.co.uk](mailto:rc@hortongrangeacademy.co.uk) – Miss Goodwin

Day 4 - EYFS at home

<https://www.eyfshome.com/activities/people-who-help-us>

Click on the link below to take part in some fantastic activities.



# Day 5 - Nativity Rehearsal

We haven't got long till our BIG Nativity performance, so take this time to learn the songs that we will be singing.

## KNOCK ON ANOTHER DOO

WE'VE GOT NO ROOM, ←  
WE MUST CONFESS  
WE CAN'T TAKE ANY MORE.  
WE'VE GOT NO ROOM,  
SO WE SUGGEST →  
YOU KNOCK ON ANOTHER DOOR!  
RAT-A-TAT! RAT-A-TAT!  
RAT-A-TAT-A-TAT!



ANY ROOM FOR A COUPLE  
WITH NOWHERE ELSE TO STAY?  
ANY ROOM FOR A COUPLE  
WHO'VE COME FROM FAR WAY?

→ WE'VE GOT NO ROOM... ←

ANY ROOM FOR A LADY  
WHOSE BABY'S NEARLY DUE?  
ANY ROOM FOR A LADY?  
WE DON'T KNOW WHAT TO DO!

→ WE'VE GOT NO ROOM... ←

**Mary & Joseph**  
ANY ROOM FOR A BABY  
WHO'S COMING SOON FOR SURE?

**Innkeeper 3**  
ALL WE'VE GOT IS A STABLE ←  
BUT HELP YOURSELF TO STRAW!



shutterstock.com · 537621550